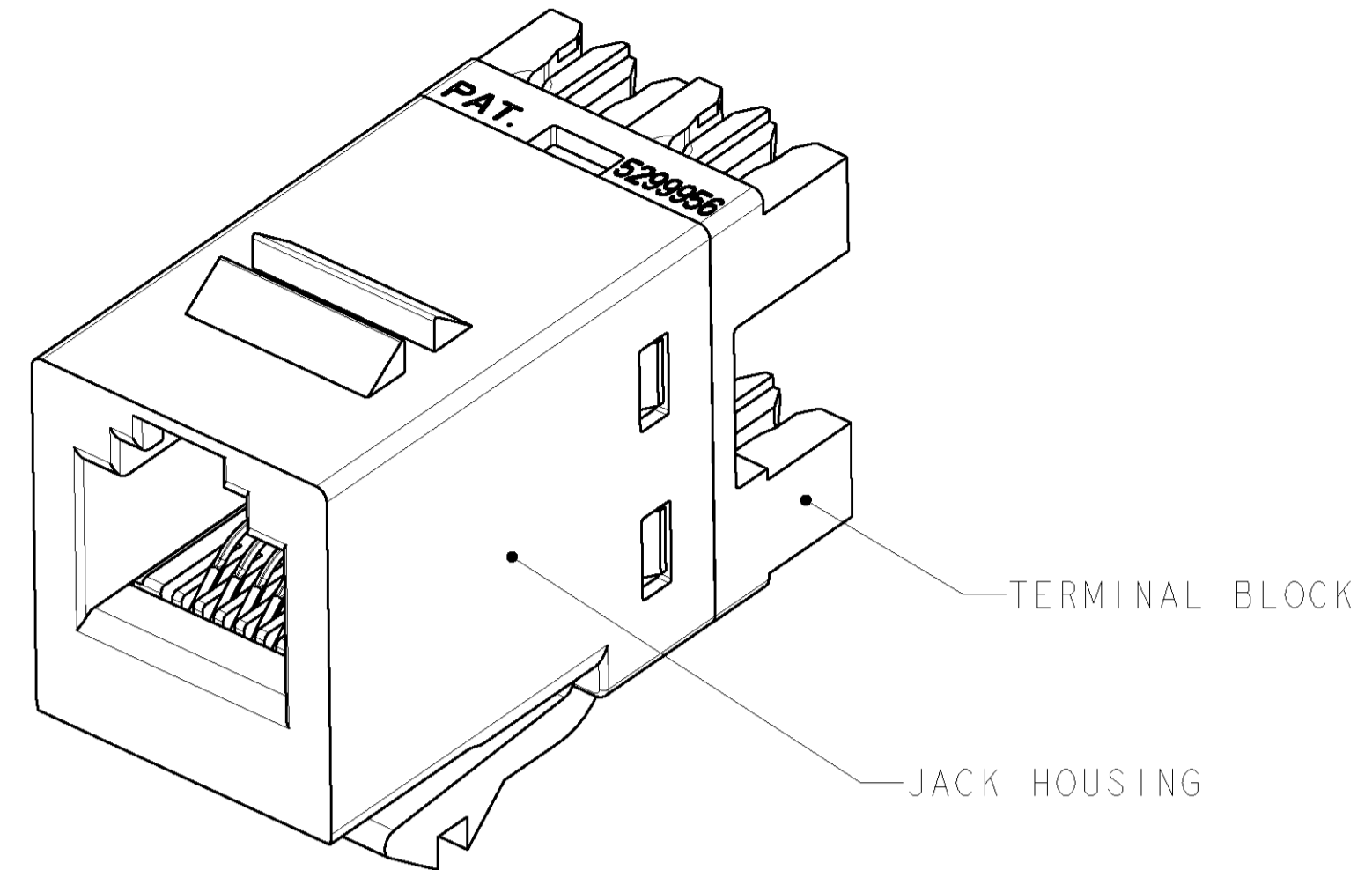
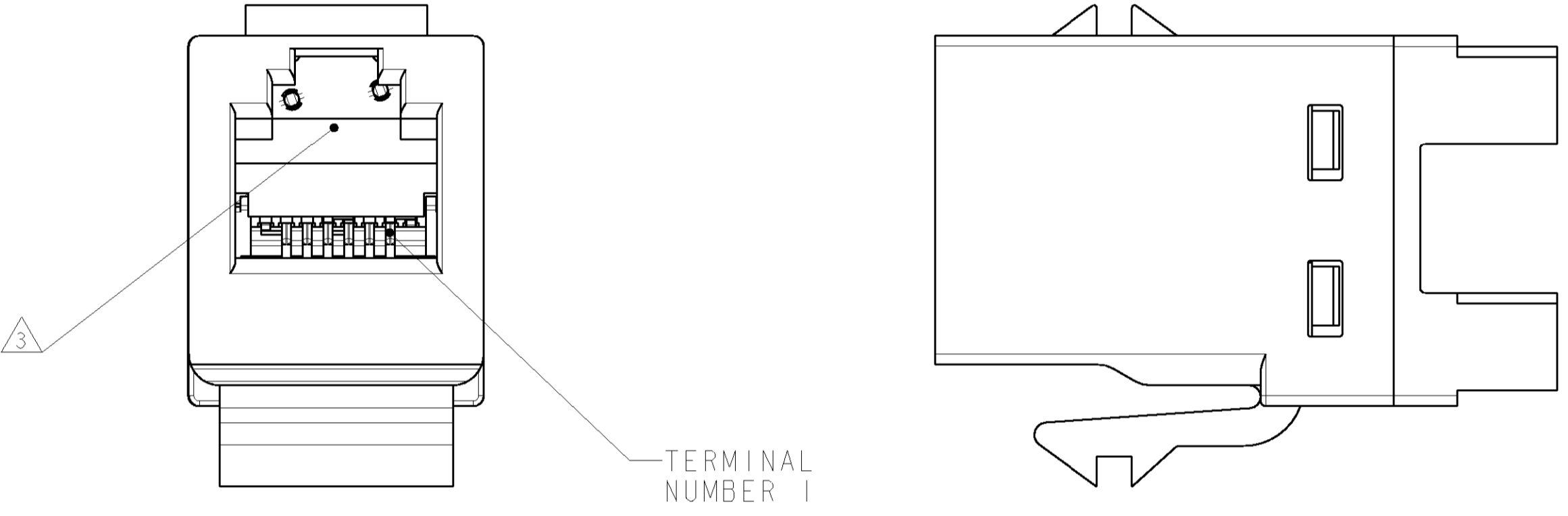


LOC	DIST	REV	DATE	BY	APPD
HM	00	D	02NOV2006	GG	BM
		E	13JUL2007	GG	SA

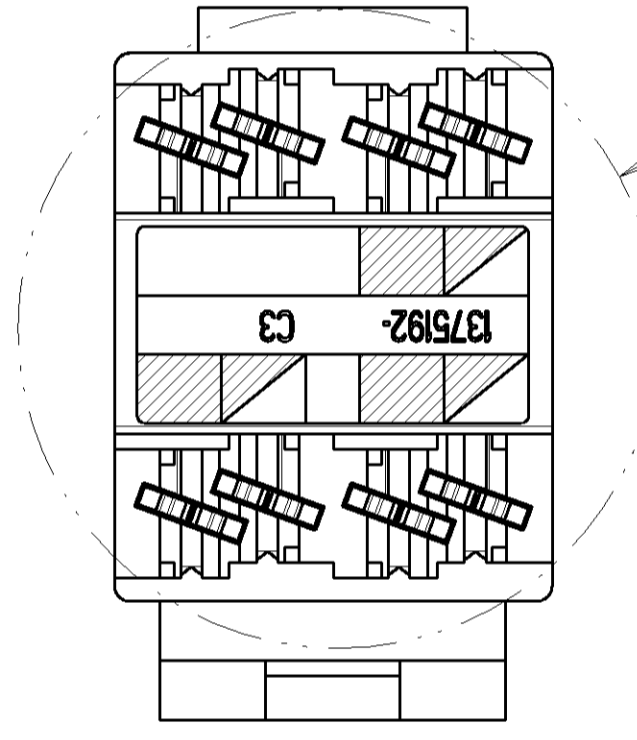


TERMINAL BLOCK
 JACK HOUSING

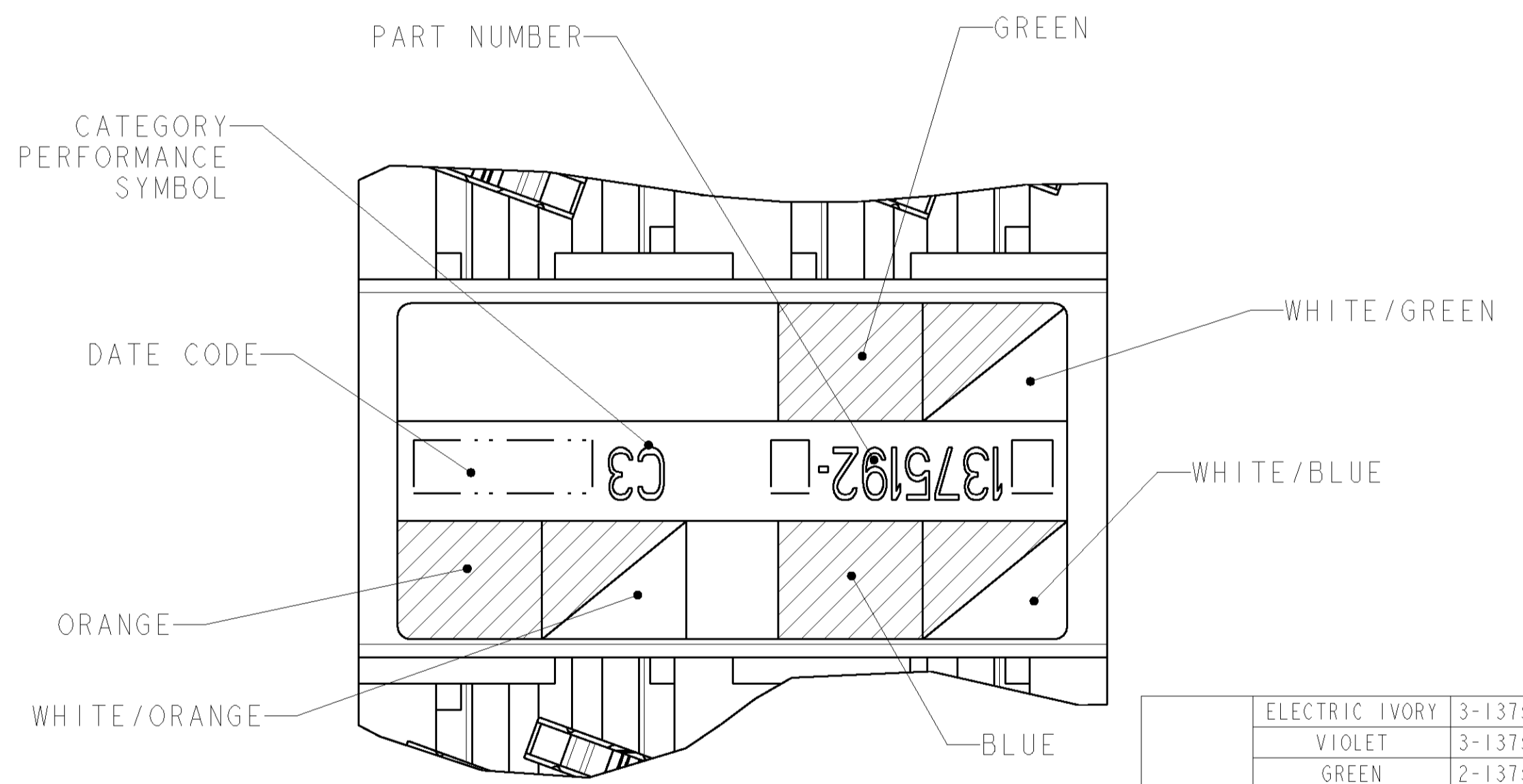
- 1. MATERIAL: JACK HOUSING - POLYPHENYLENE OXIDE, 94V-0 RATED. 110 BLOCK - POLYCARBONATE. ARRAY TRAY - PBT POLYESTER. JACK CONTACTS ARRAY - BERYLLIUM COPPER, PLATED WITH 1.27µm [.000050] MINIMUM THICK GOLD IN LOCALIZED AREA AND 3.81µm [.000150] MINIMUM THICK MATTE TIN IN SOLDER AREA OVER 1.27µm [.000050] MINIMUM THICK NICKEL UNDERPLATE. IDC TERMINALS - PHOSPHOROUS BRONZE, PLATED WITH 3.81µm [.00015] MINIMUM THICK MATTE TIN OVER 1.27µm [.00005] MINIMUM THICK NICKEL UNDERPLATE.
- 2. SL 110 JACK WILL TERMINATE 22-24 AWG SOLID AND 24-26 AWG STRANDED CONDUCTORS, 1.27[.050] MAXIMUM INSULATION DIAMETER.
- 3. CAVITY CONFORMS TO FCC RULES AND REGULATIONS PART 68 SUBPART F REQUIREMENTS.
- 4. MOUNTING PANEL THICKNESS 1.47 - 1.60 [.058 - .063].
- 5. THESE TWO SUGGESTED CUTOUT OPENINGS ARE USED IN TANDEM WITH DUAL FRONT AND BACK CUTOUTS.
- 6. ONE MODULAR JACK ASSEMBLY PER POLYBAG.
- 7. TWENTY-FIVE MODULAR JACK ASSEMBLY PER POLYBAG.
- 8. REFER TO 408-8858 FOR TERMINATION INSTRUCTIONS USING SL SERIES TOOL TERMINATION. REFER TO 408-8602 FOR TERMINATION INSTRUCTIONS USING 110 PUNCH DOWN TOOL.



TERMINAL NUMBER 1



SEE DETAIL A

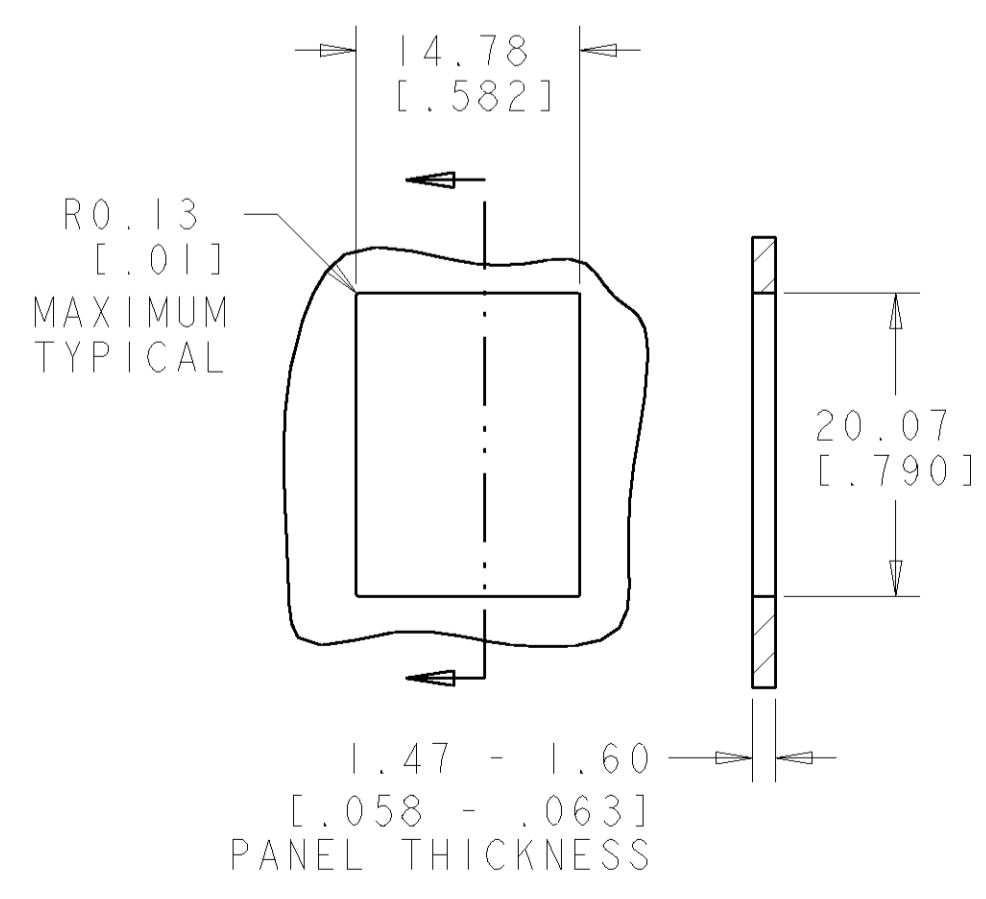


PART NUMBER
 CATEGORY PERFORMANCE SYMBOL
 DATE CODE
 ORANGE
 WHITE/ORANGE
 WHITE/GREEN
 WHITE/BLUE
 BLUE

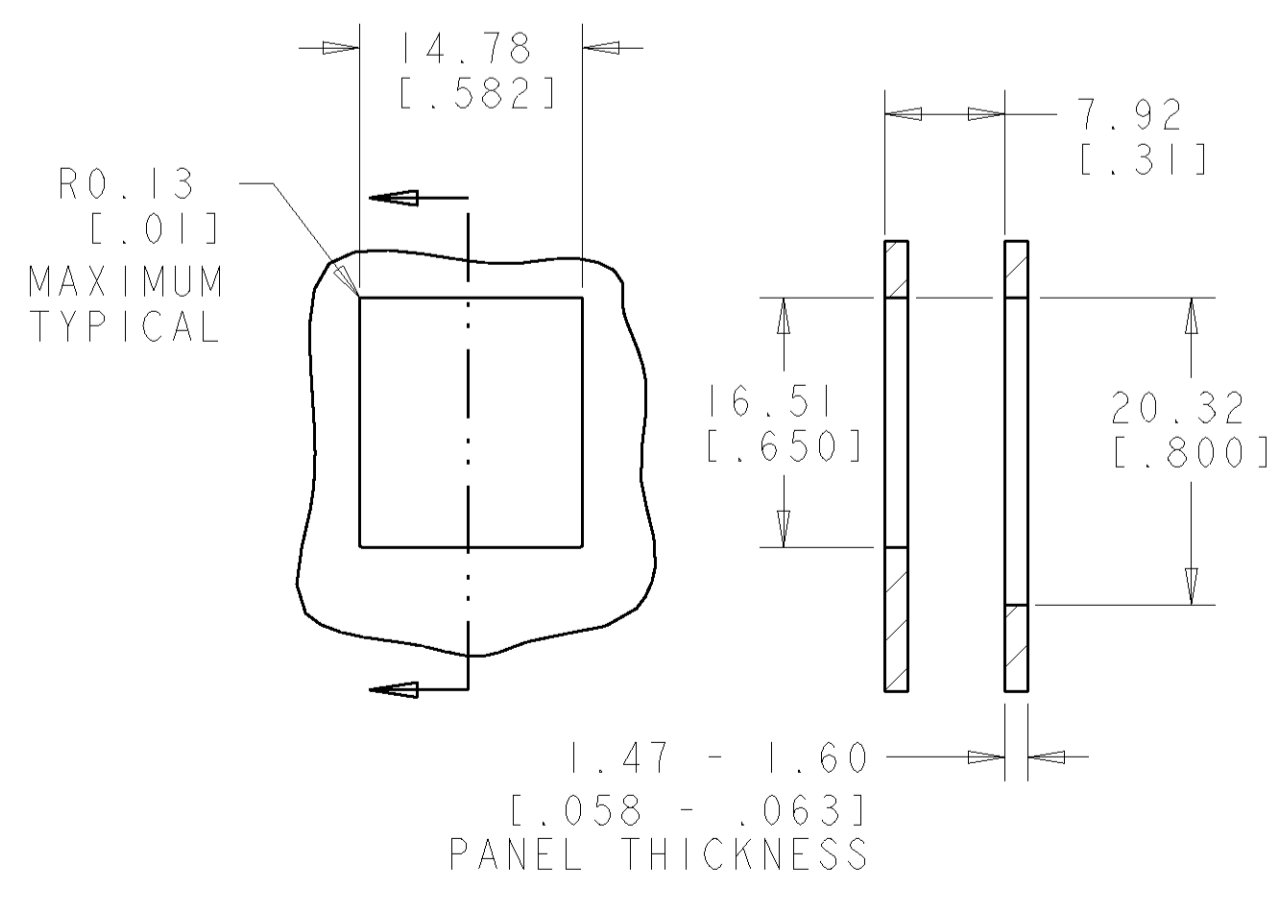
DETAIL A SCALE 10:1

COLOR CODE	110 BLOCK	MODULAR JACK
WHITE/BLUE		4
BLUE		3
WHITE/ORANGE		2
ORANGE		5
WHITE/GREEN		1
GREEN		6
WHITE/BROWN		
BROWN		

ELECTRICAL SCHEMATIC (USOC)



SINGLE PANEL CUTOUT



SUGGESTED FLUSH MOUNT PANEL APPLICATION CUTOUT

PACKAGE	HOUSING COLOR	PART NUMBER
6	ELECTRIC IVORY	3-1375192-1
	VIOLET	3-1375192-0
	GREEN	2-1375192-9
	YELLOW	2-1375192-8
	RED	2-1375192-7
	BLUE	2-1375192-6
	ORANGE	2-1375192-5
	NEMA GRAY	2-1375192-4
	WHITE	2-1375192-3
	BLACK	2-1375192-2
6	LIGHT ALMOND	2-1375192-1
	ELECTRIC IVORY	1-1375192-1
	VIOLET	1-1375192-0
	GREEN	1375192-9
	YELLOW	1375192-8
	RED	1375192-7
	BLUE	1375192-6
	ORANGE	1375192-5
	NEMA GRAY	1375192-4
	WHITE	1375192-3
BLACK	1375192-2	
LIGHT ALMOND	1375192-1	

DIMENSIONS: MM [Inches]		TOLERANCES UNLESS OTHERWISE SPECIFIED:		DWN: T. PITTS 05NOV01 CHK: L. SMITH 15NOV01 APPD: C. DOOLEY 15NOV01		Tyco Electronics Tyco Electronics Harrisburg, PA 17105-3608	
MATERIAL:		FINISH:		PRODUCT SPEC: 108-1990-108-1990-1 APPLICATION SPEC:		ASSEMBLY, SL 110 JACK, CATEGORY 3	
WEIGHT:		CUSTOMER DRAWING:		SIZE: CAGE CODE: DRAWING NO: 00779 C=1375192		RESTRICTED TO:	
SCALE: 4:1		SHEET 1 OF 1		REV E		DATE: 02NOV2006	